



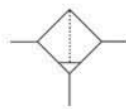
QSL 系列减压阀
QSL Series Filter



订购码
Ordering code



符号
Symbol



技术参数
Technical data

型号	Model	QSL-6	QSL-8	QSL-10	QSL-15	QSL-20	QSL-25	QSL-40	
使用温度范围	Operating temperature range				5 ~ 60°C				
公称输入压力	Nominal in out pressure				0.63MPa				
过滤精度	Filtering accuracy				50~70 μ M				
水分离效果	Water sepration effect				≥85%				

压力降-空气流量表
Pressure

型号 Model	进口压力为5%MPa,测得各种进口的压力空气流量应不小于下列值 / Reduced pressure is measured under the condition of 5% of the entrance pressure,air is flow-rate of all entrance essage will not less than the value as following					
	空气流量L/min Air flow-rate					
	进口压力/MPa Entrance pressure					
	0.25	0.4	0.63	0.8	1.0	
QSL-6	200	290	450	360	680	
QSL-8	450	720	1100	1460	1700	
QSL-10	760	1170	1620	2000	2340	
QSL-15	1170	1460	2340	2700	3420	
QSL-20	1700	2800	4000	4600	5400	
QSL-25	2100	3420	5200	5800	6800	
QSL-40	2500	4020	6400	7000	8200	

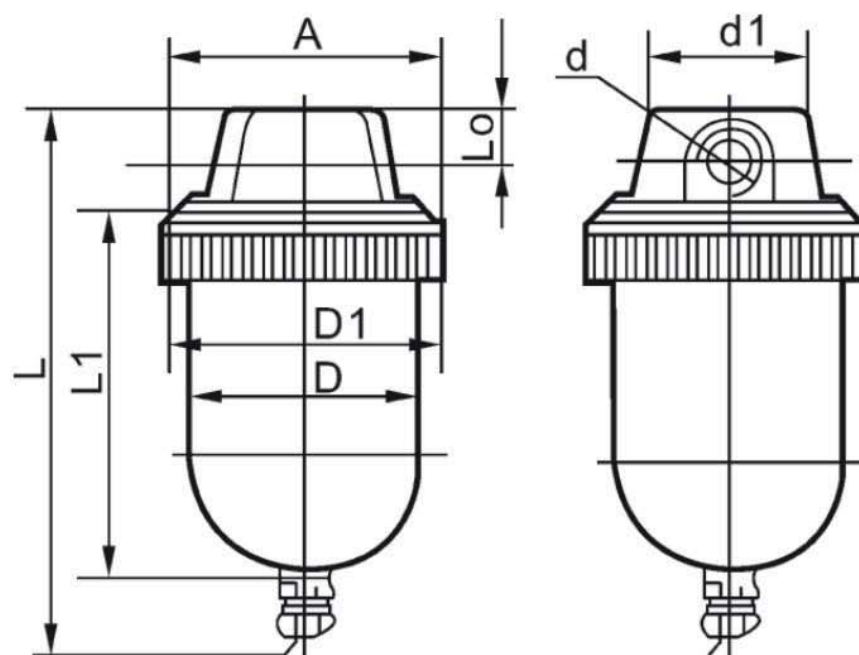
QSL 系列减压阀

QSL Series Filter

尺寸

Dimensions

QSL 系列减压阀
QSL Series Filter



型号 Model	接管口径 Port size	A	D	D ₁	D ₂	L ₀	L ₁	L
QSL-6	G1/8'	90	Φ90	Φ88	Φ55	15	114	160
QSL-8	G1/4'							
QSL-10	G3/8'							
QSL-15	G1/2'							
QSL-20	G3/4'	114	Φ114	Φ112	Φ65	23	152	234
QSL-25	G1'							
QSL-40	G1/2'	130	Φ130	Φ130	Φ88	34	226	305