



海隆系列电磁阀
HAILONG Series Solenoid Valve



2637050



2636000



8020850



8020750



2630600



2636200



2637250

订购码
Ordering code

263

系列代号
二位五通滑柱式电磁阀
Series code
5/2 way slippery pillar type
electromagnetic valve

6000

口径
“6000”、“6200”表示口径为6mm;其中“6000”表示单电,
“6200”表示双电;“7050”、“7250”表示口径为12mm,
其中“7050”单电,“7250”为双电
Diameter
“6000”、“6200” represent diameter for 6mm; in which “6000”
represents single electronic, “6200” represents double electronic;
“7050”、“7250” represent diameter for 12mm, in which “7050”
represents single electronic, “7250” represents double electronic.

802

系列代号
二位三通滑柱式电磁阀
Series code
3/2 way slippery pillar type
electromagnetic valve

□

通常
“0”表示单电,
“1”表示双电,
“2”表示常通
Nominal
“0” represents
single electronic
“1” represents
double electronic
“2” represents
general

□□

口径
“750”表示口径为6mm;
“850”、“950”表示口径为12mm
Diameter
“750” represents diameter for 6mm,
and “850”、“950” represent diameter
for 12mm.

2630

系列代号
二位四通滑柱式电磁阀
Series code
4/2 way slippery pillar type
electromagnetic valve

□□

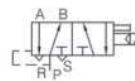
通常
“60”表示单电,
“70”表示双电,
Nominal
“60” represents
single electronic
“70” represents
double electronic

0

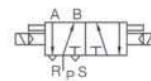
口径
“0”表示直接排气式;
“1”表示底板引出排气式
Diameter
“0” represents direct venting type,
“1” represents base-plate extracting
venting type.

符号
Symbol

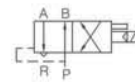
2636000
2637050



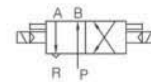
2636200
2637250



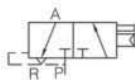
2630600
2630601



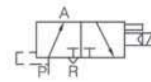
2630700
2630701



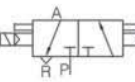
8020600
8020850



8022750
8022850



8021750
8021850



海隆系列电磁阀

HAILONG Series Solenoid Valve

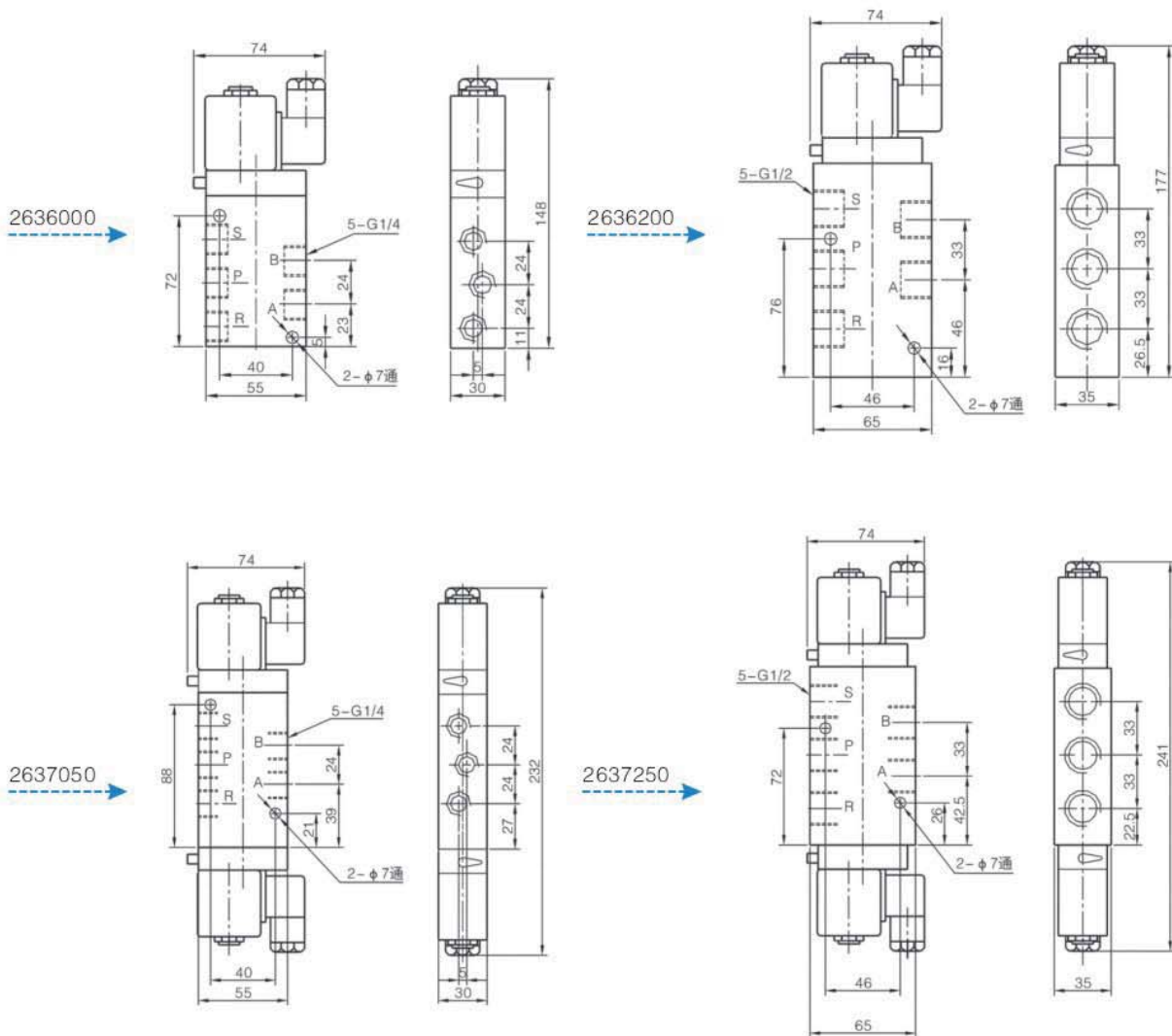
规格

Specifications

参数 Parameter	订购码 Ordering code	2630600 2630601	2630700 2630701	2636000 8020750 8021750	2636200 8022750	2637050 8020850 8021950	2637250 8022850
有效截面积 Net sectional area	mm ²	4		10		40	
使用压力 Operating pressure	MPa	0.15~0.8					
换向时间 Reversing time	S	≤0.04					
环境温度 Ambient temperature	°C	-10~55					
介质温度 Fluid temperature	°C	-5~50					
电源电压 Power consumption	V	AC:220,110,36 DC:24,12 电压被动允许为额定值的+10%~-15% AC:220,110,36 DC:24,12 Voltage is allowed to set as rated voltage+10%~-15%					
寿命 Life	千次 / Thousands	≥2000					

尺寸

Dimensions



海隆系列电磁阀

HAILONG Series Solenoid Valve

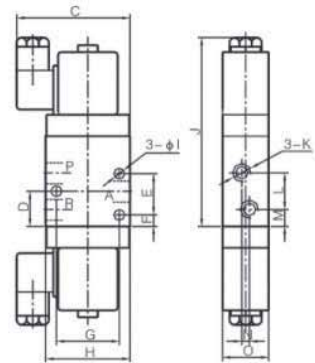
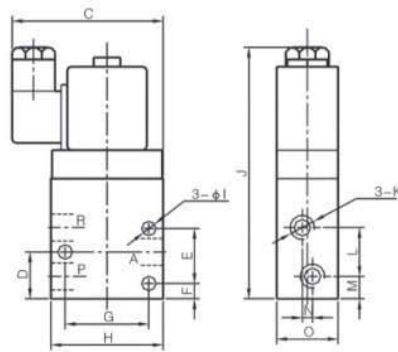
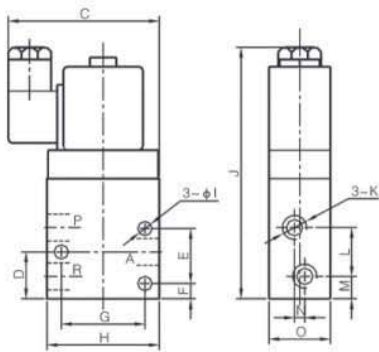
尺寸

Dimensions

8020750
8020850

8022750
8022850

8021750
8021850



型号 Model	接管口径 Port size	C	D	E	F	G	H	I	J	L	M	N	O
8020750	G1/4'	73	23	27	7.5	41	55	7	124	27	11	5	30
8022750	G1/4'												
8020850	G1/2'	73	36	48	12	46	65	7	142	48	25	-	35
8022850	G1/2'												
8021750	G1/4'	73	37	27	21.5	41	55	5.5	194	24	21.5	5	30
8021950	G1/2'	73	44	-	27.5	46	64	7	214	33	27.5	-	35

2630600

2630700

