



## 2W系列二位二通直动式电磁阀(小口径) 2W Series 2/2 Direct Drive-type Solenoid Valve ( Small Diameter )



订购码  
Ordering code

**2W**

**规格代码**  
2W:二位二通电磁阀  
-直动式  
2WH:二位二通电磁阀  
-直动式(高压型)  
**Specification code**  
2W:2/2 way solenoid  
valvedirect drive-type  
2WH:2/2 way solenoid  
valvedirect drive-type  
(high-pressure type)

**025**

**流量孔径**  
Aperture of  
Flow Rate  
012:1.2mm  
020:2.0mm  
025:2.5mm  
040:4.0mm

**06**

**接管口径**  
Port size  
06:G1/8"  
08:G1/4"  
10:G3/8"

**NO**

**初始状态**  
空白:常闭型  
NO:常开型  
**Original state**  
Blank: constant  
closing  
T: constant  
opening

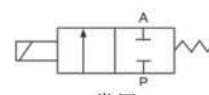
**AC110V**

**标准电压**  
Standard voltage  
DC12V  
DC24V  
AC24V 50Hz/60Hz  
AC36V 50Hz/60Hz  
AC110V 50Hz/60Hz  
AC220V 50Hz/60Hz  
AC380V 50Hz/60Hz

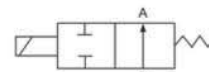
**E**

**油封代号**  
空白: NBR  
E: EPDM(蒸汽用)  
V: VITON  
(高温、瓦斯及真空用)  
**Oil seal code**  
Blank: NBR  
E: EPDM(for steam)  
V: VITON(for high  
temperature, gas  
and vacuum)

符号  
Symbol



常开



常闭

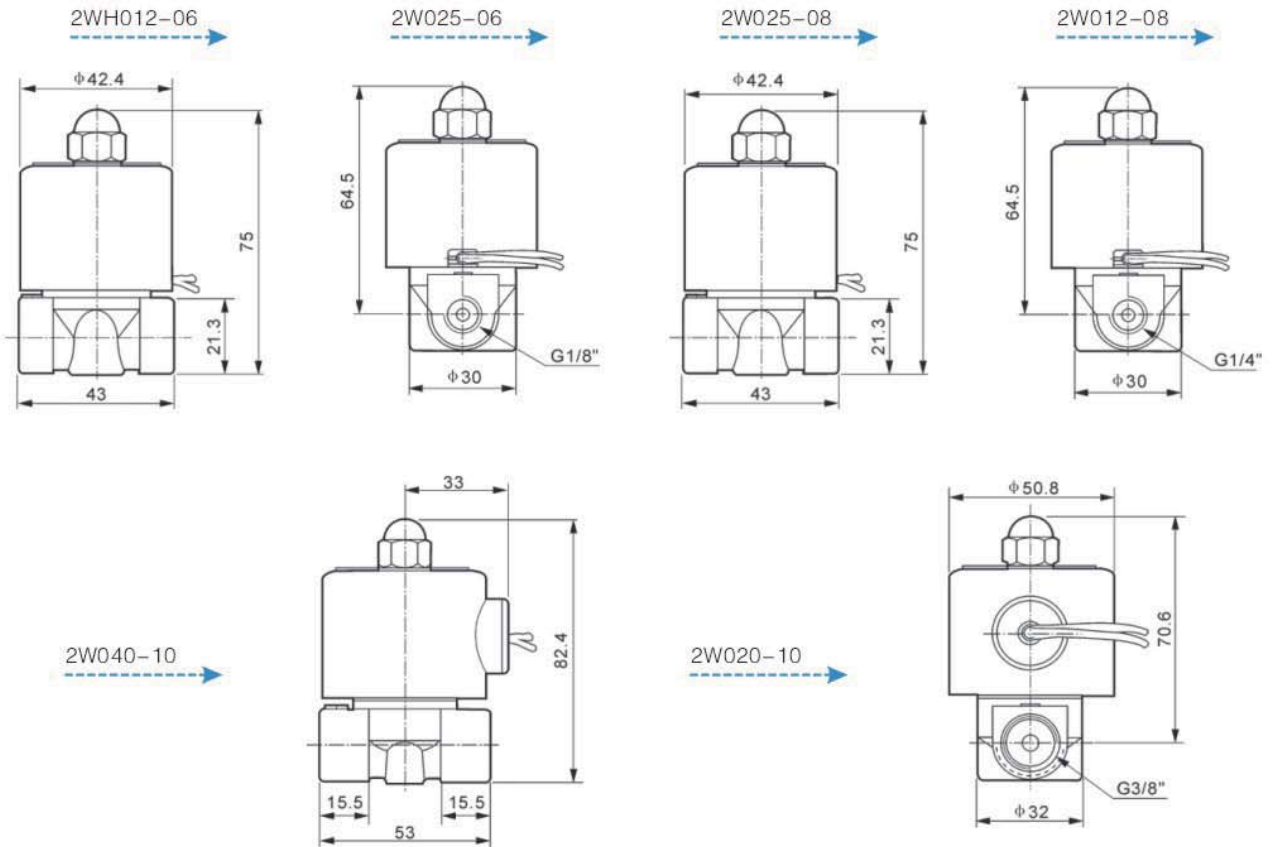
规格  
Specifications

型号 Model	2W025-06	2W025-08	2W040-10	2WH012-06	2WH012-08	2WH020-10
	2S025-06	2S025-08	2S040-10	2SH012-06	2SH012-08	2SH020-10
工作介质 Fluid	空气、水、油、瓦斯 Air, Water, Oil, Gas					
动作方式 Acting type	直动式 Direct drive type					
型式 Type	常闭型、常开型 Normal close-type、Normal open-type					
流量孔径mm Aperture of flow rate	2.5		4.0	1.2		2.0
CV值 CV value	0.23		0.60	0.05		0.15
接管口径 Port size	G1/8"	G1/4"	G3/8"	G1/8"	G1/4"	G3/8"
使用流体粘滞度 Operation fluid viscosity	20 CST以下 (Below)					
使用压力 Working pressure	0~0.7MPa			0~2.0MPa		
最大耐压力 Max. Pressure resisance	1.0MPa			3.5MPa		
工作温度范围 Working temperature range	-5 ~ 80°C					
使用电压范围 Voltage range	± 10%					
本体材质 Meterial of boby	2W:黄铜 Brass;2S:不锈钢 Stainless steel					
油封材质 Meterial of oil seal	NBR,EPDM或 ( or ) VITON					

\*特殊电压及特殊规格请与厂房接洽  
\*Please contact Factory for special voltage and Specification

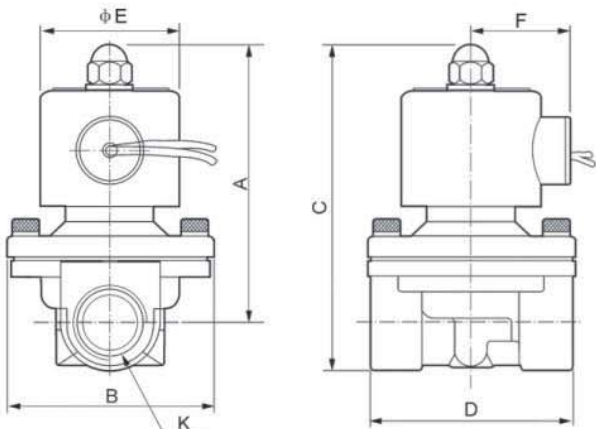
**2W系列二位三通直动式电磁阀(小口径)**  
**2W Series 2/2 Direct Drive-type Solenoid Valve ( Small Diameter )**

尺寸  
 Dimensions



**2W系列二位三通直动式电磁阀 ( 大口径 )**  
**2W Series 2/2 Direct Drive-type Solenoid Valve ( Large Diameter )**

订购码  
 Ordering code



型号 Model	A	B	C	D	E	F	K
2W160-10	101.5	57	117	69	50	36	G3/8"
2W160-15	101.5	57	117	69	50	36	G1/2"
2W200-20	107	57	123.5	73	50	36	G3/4"
2W250-25	111.5	73.5	134.5	99	50	36	G1"
2W350-35	142	95	172	123	70.5	56	G1/4"
2W400-40	142	95	172	123	70.5	56	G1/2"
2W500-50	172	123	209	168	70.5	56	G2"