



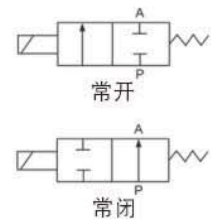
**2W系列二位二通直动式电磁阀(大口径)**  
**2W Series 2/2 Direct Drive-type Solenoid Valve ( Large Diameter )**



订购码  
Ordering code

<b>2W</b>	<b>160</b>	<b>15</b>	<b>NO</b>	<b>AC110V</b>	<b>V</b>
<b>规格代码</b> 2W:二位二通电磁阀-直动式 2S:不锈钢二位二通电磁阀-(直动式) <b>Specification code</b> 2W:2/2 way solenoid valvedirect drive-type 2S:2/2 way	<b>流量孔径</b> <b>Aperture of flow rate</b> 160:16mm 200:20mm 250:25mm 350:35mm 400:40mm 500:50mm	<b>接管口径</b> <b>Port size</b> 10:G3/8" 15:G1/4" 20:G3/4" 25:G1" 35:G1 1/4" 40:G1 1/2" 50:G2"	<b>初始状态</b> 空白:常闭型 NO:常开型 <b>Original state</b> Blank: constant closing T: constant opening	<b>标准电压</b> <b>Standard voltage</b> DC12V DC24V AC24V 50Hz/60Hz AC36V 50Hz/60Hz AC110V 50Hz/60Hz AC220V 50Hz/60Hz AC380V 50Hz/60Hz	<b>油封代号</b> 空白: NBR E: EPDM (蒸汽用) V: VITON (高温、瓦斯及真空用) <b>Oil seal code</b> Blank: NBR E: EPDM(For Steam) V: VITON(For high temperature, gas and vacuum).

符号  
Symbol



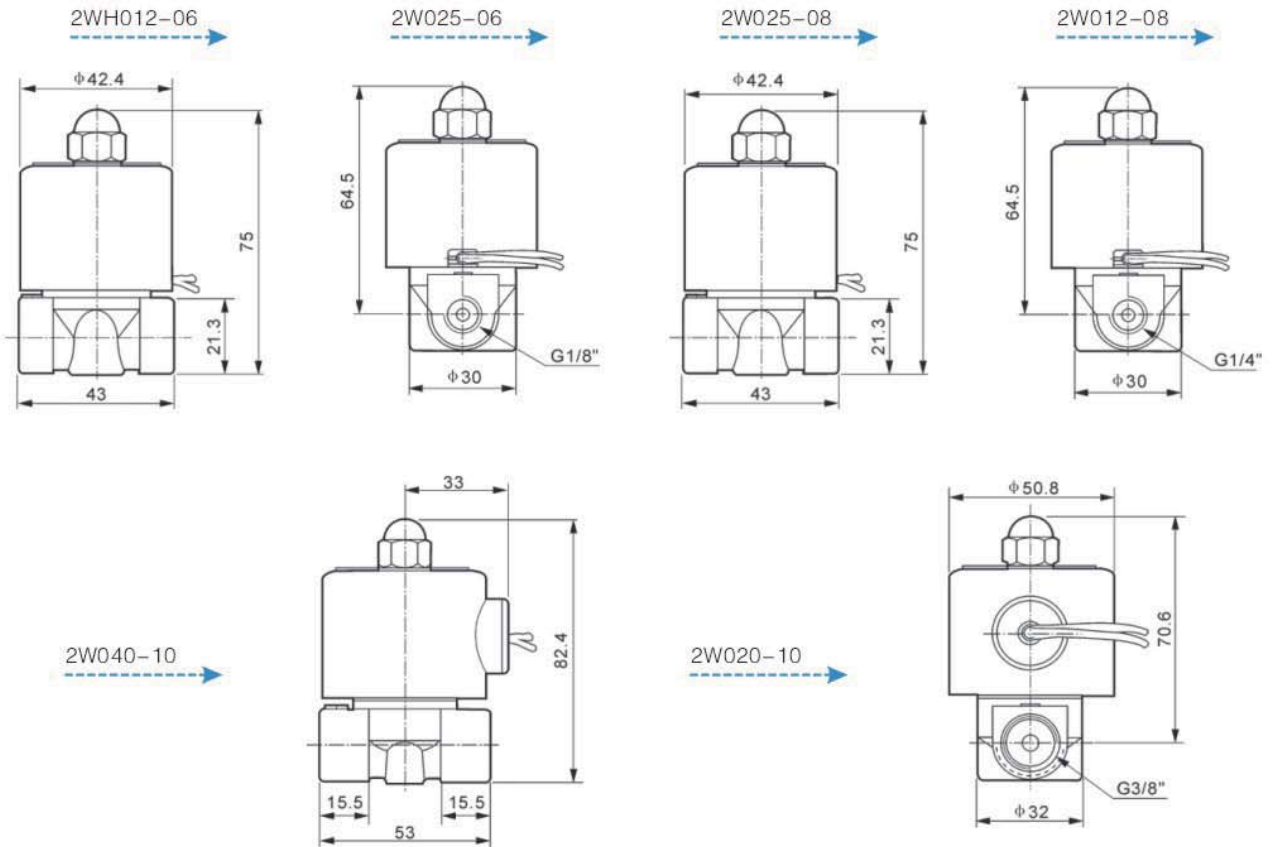
规格  
Specifications

<b>型号 Model</b>	2W160-10	2W160-15	2W200-20	2W250-25	2W300-35	2W400-40	2W500-50
	2S160-10	2S160-15	2S200-20	2S250-25	2S300-35	2S400-40	2S500-50
<b>工作介质 Fluid</b>	空气、水、油、瓦斯 Air, Water, Oil, Gas						
<b>动作方式 Acting type</b>	直动式 Direct drive type						
<b>型式 Type</b>	常闭型、常开型 Normal close-type、Normal open-type						
<b>流量孔径mm Aperture of flow rate</b>	16	16	20	25	35	40	50
<b>CV值 CV value</b>	4.8	4.8	7.6	12	24	29	48
<b>接管口径 Port size</b>	G3/8"	G1/2"	G3/4"	G1"	G1 1/4"	G1 1/2"	G2"
<b>使用流体粘滞度 Operation fluid viscosity</b>	20 CST以下 (Below)						
<b>使用压力 Working pressure</b>	水 (Water) :0~0.5MPa; 空气(Air):0~0.7MPa; 油(Oil):0~0.5MPa; 瓦斯(Gas):0~0.7MPa						
<b>最大耐压力 Max. Pressure resiance</b>	1.05MPa						
<b>工作温度范围 Working temperature range</b>	-5 ~ +80°C						
<b>使用电压范围 Voltage range</b>	± 10%						
<b>本体材质 Material of boby</b>	2W:黄铜 Brass;2S:不锈钢 Stainless steel						
<b>油封材质 Material of oil seal</b>	NBR,EPDM或 ( or ) VITON						

\*特殊电压及特殊规格请与厂房接洽  
\*Please contact Factory for special voltage and Specification

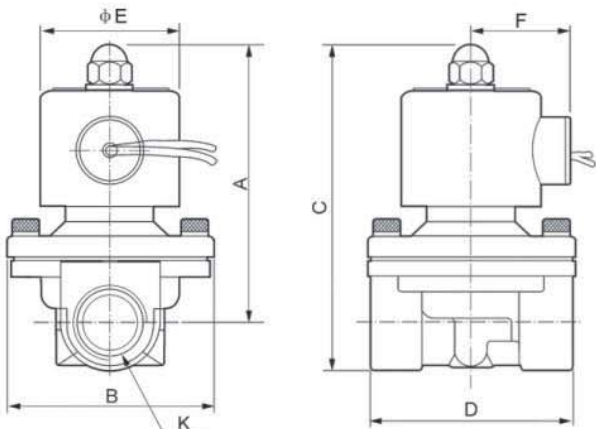
**2W系列二位三通直动式电磁阀(小口径)**  
**2W Series 2/2 Direct Drive-type Solenoid Valve ( Small Diameter )**

尺寸  
 Dimensions



**2W系列二位三通直动式电磁阀 ( 大口径 )**  
**2W Series 2/2 Direct Drive-type Solenoid Valve ( Large Diameter )**

订购码  
 Ordering code



型号 Model	A	B	C	D	E	F	K
2W160-10	101.5	57	117	69	50	36	G3/8"
2W160-15	101.5	57	117	69	50	36	G1/2"
2W200-20	107	57	123.5	73	50	36	G3/4"
2W250-25	111.5	73.5	134.5	99	50	36	G1"
2W350-35	142	95	172	123	70.5	56	G1/4"
2W400-40	142	95	172	123	70.5	56	G1/2"
2W500-50	172	123	209	168	70.5	56	G2"