



## 4H系列手板阀 4H Series Hand Control Valve



### 订购码 Ordering code

**4H**

**规格代码**  
4H:二(三)位五通  
**Specification code**  
4H:5/2(3) way

**2**

**系列代号**  
2:200系列  
3:300系列  
4:400系列  
**Series code**  
2:200 Series  
3:300 Series  
4:400 Series

**10**

**位置数**  
10: 单头双位置  
30: 单头三位置  
**Number of places**  
10:Single double  
- position  
30:Single three  
- position

**06**

**接管口径**  
**Port size**  
06:G1/8"  
08:G1/4"  
10:G3/8"  
15:G1/4"

**L**

**形式代号**  
空白:三位五通复位型  
L:三位五通锁定型  
S:二位五通、  
三位五通弹簧复位型  
**Type code**  
Blank: 5/3 way reset type  
L: 5/3 way locked type  
S: 5/2 way, 5/3 way spring  
reset type

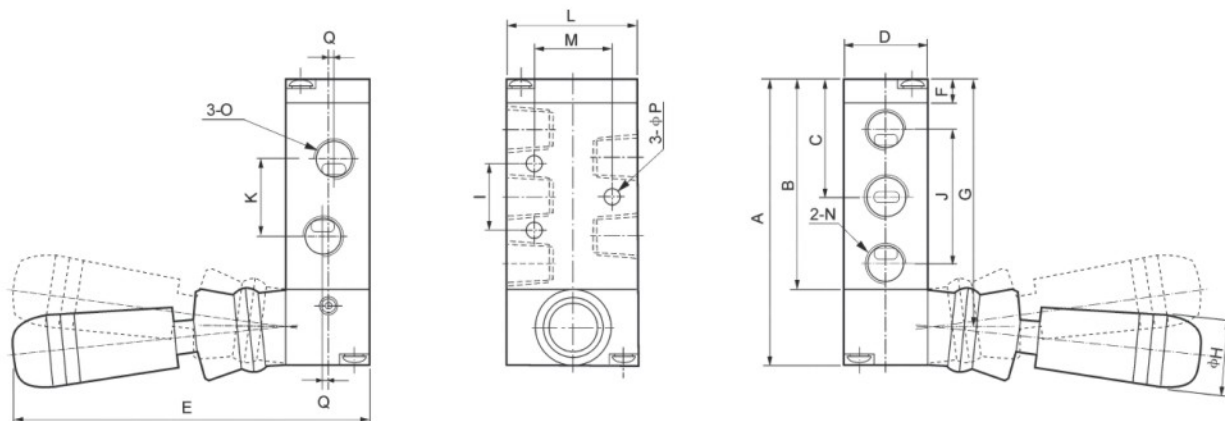
### 符号 Symbol



### 规格 Specifications

<b>型号 Model</b>	4H210-06	4H210-08	4H230-08	4H310-08	4H310-10	4H330-10	4H410-15	4H430-15
<b>工作介质 Working medium</b>	空气(经40μm滤网过滤) Air (40Micron Filtered)							
<b>动作方式 Acting type</b>	直动式 / Direct Drive-Type							
<b>有效截面积 Effective sectional area</b>	14mm <sup>2</sup> (CV=0.78)	16mm <sup>2</sup> (CV=0.89)	12mm <sup>2</sup> (CV=0.67)	25mm <sup>2</sup> (CV=1.4)	30mm <sup>2</sup> (CV=1.68)	18mm <sup>2</sup> (CV=1.00)	50mm <sup>2</sup> (CV=2.79)	30mm <sup>2</sup> (CV=1.68)
<b>接管口径 Port size</b>	进气=出气=排气=G1/8" Air Inlet =Air Outlet =Exhaust =G1/8"	进气=出气=G1/4" 排气=G1/8" Air Inlet=Air Outlet= G1/4" Exhaust=G1/8"		进气=出气=排气=G1/4" Air Inlet =Air Outlet =Exhaust =G1/4"	进气=出气=G3/8" 排气=G1/4" Air Inlet=Air Outlet=G3/8" Exhaust=G1/4"		进气=出气=排气=G1/2" Air Inlet=Air Outlet =Exhaust=G1/2"	
<b>使用压力范围 Working pressure range</b>	0~0.8MPa							
<b>使用温度范围 Operating temperature range</b>	0~60°C							

# 尺寸 Dimensions



符号/型号 Symbol/Model	4H210-06(08)	4H230-06(08)-S (自动复位)	4H310-08(10)	4H330-08(10)-S (自动复位)	4H410-15	4H430-15-S (自动复位)
	4H230-06(08)-L	Automatic Reset	4H330-08(10)-L	Automatic Reset	4H430-15-L	Automatic Reset
A	76	95	96	115	126	147
B	56.5	75.5	72	91	102	123
C	31.5	31.5	40	60	55.5	76.5
D	22	22	27	27	34	34
E	95	95	100	100	110	110
F	6.5	6.5	7.5	7.5	7.5	7.5
G	66.5	85.5	84	103	114	135
H	18	18	18	18	18	18
I	20	20	24	24	28	28
J	36	36	45	45	63	63
K	21	21	24	24	36	36
L	35	35	40	40	50	50
M	21	21	27	27	35	35
N	G1/8"	G1/8"	G3/8"	G3/8"	G1/2"	G1/2"
O	G1/8"(G1/4")	G1/8"(G1/4")	G1/4"(G3/8")	G1/4"(G3/8")	G1/2"	G1/2"
P	4.3	4.3	4.3	4.3	5.5	5.5
Q	1.5(-)	1.5(-)	2(-)	2(-)	-	-