

JM系列机械阀 JM Series Mechanical Valve



订购码 Ordering code

JM

规格代码
截止式机械阀
Specification code
Stop-type
Mechanical Valve

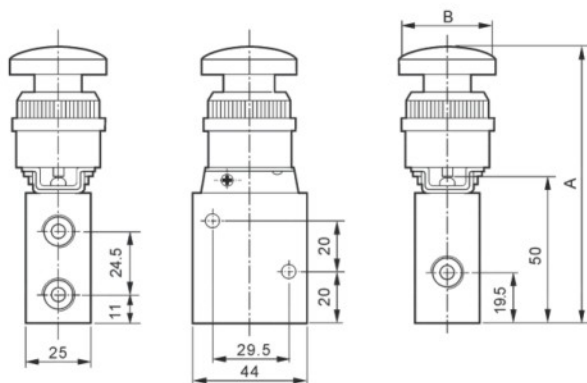
05

按钮形式
Button type
05:选择型旋钮/Selective knob
06:连锁型按钮/With lock button
06A:平圆型按钮/Flat round button
07:滚轮型/Roll type

规格 Specifications

| 型号 Model | JM-05 | JM-06 | JM-06A | JM-07 |
|---------------------------------------|---|-------|--------|-------|
| 工作介质 Working medium | 空气 (经40 μm滤网过滤) / Air (40Micron Filtered) | | | |
| 位通数 Position and way Number | 二位三通3/2 way | | | |
| 接管口径 Port size | G1/4" | | | |
| 使用压力范围 Working pressure range | 0~0.8MPa | | | |
| 使用温度范围 Operating temperature range | 0~60°C | | | |

尺寸 Dimensions



| 型号 Model | A | B |
|----------|------|------|
| JM-05 | 114 | 36.5 |
| JM-06 | 111 | 39.5 |
| JM-06A | 96 | 39.5 |
| JM-07 | 84.5 | 42.5 |